

I N D E X

DESCRIPTION

PAGES

Mahindra Super Turbo 595 DI Sarpanch

ENGINE

Engine System -----	2-5
Fuel Injection System -----	06-06
Cooling System -----	07-07
Lubrication System -----	08-09
Turbo System -----	10-11

CHASSIS, SHEET-METAL AND HYDRAULICS

Sheet Metal & Fuel Tank -----	12-13
Fenders & Bracketories -----	14-14
Linkage Three Point -----	15-15
Governor Control, Pedals & Levers -----	16-17
Steering Mechanism & Seat -----	18-19
Front Axle and Cast iron Weight -----	20-20

TRANSMISSION

Clutch Assembly (Dual) -----	21-21
Clutch Housing & Connection - CRPTO (REV) -----	22-23
Transmission Case -----	24-24
Gears Shifter Mechanism -----	25-25
Transmission Gears And Shafts Partial Constant Mesh -----	26-27
Differential -----	28-28
Differential Lock -----	29-29
Rear Axle Carrier And Rear Axle -----	30-31
Rear PTO Shaft & Operating Lever -----	32-33
C R P T O Gears & Shafts - C R P T O -----	34-35
Disc Brakes & Linkages (7.5î Brakes)-----	36-37

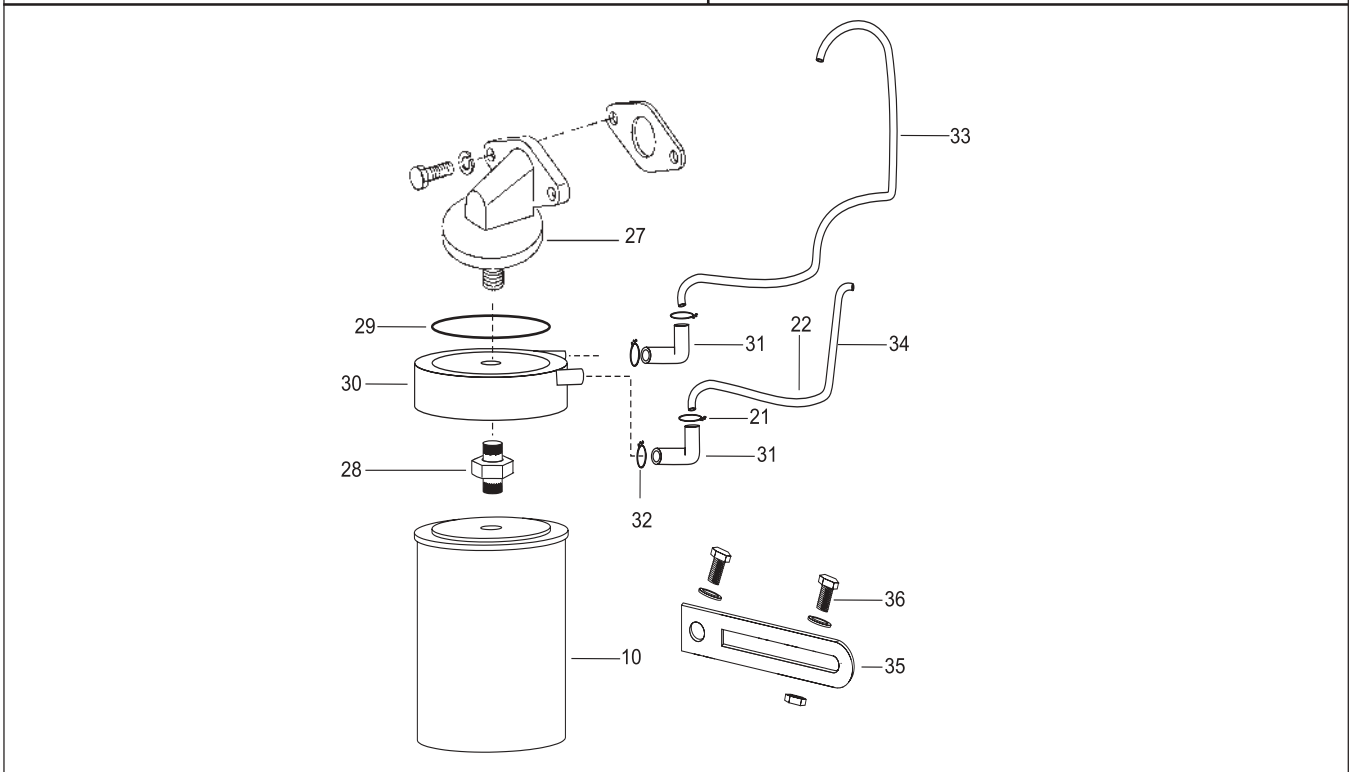
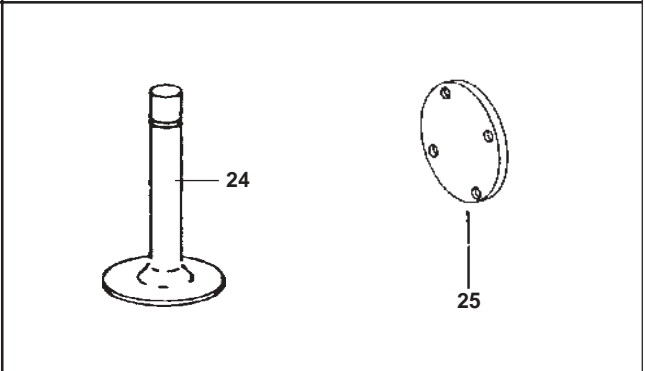
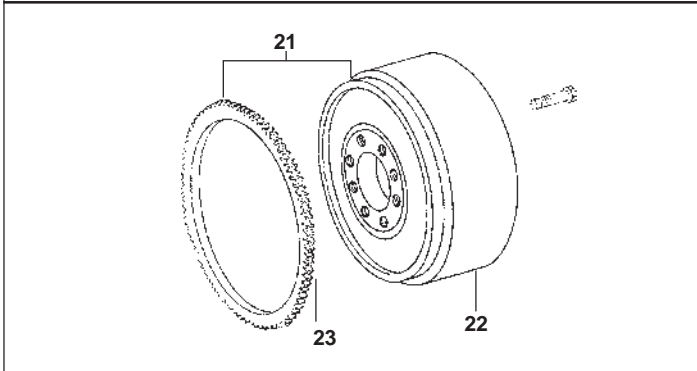
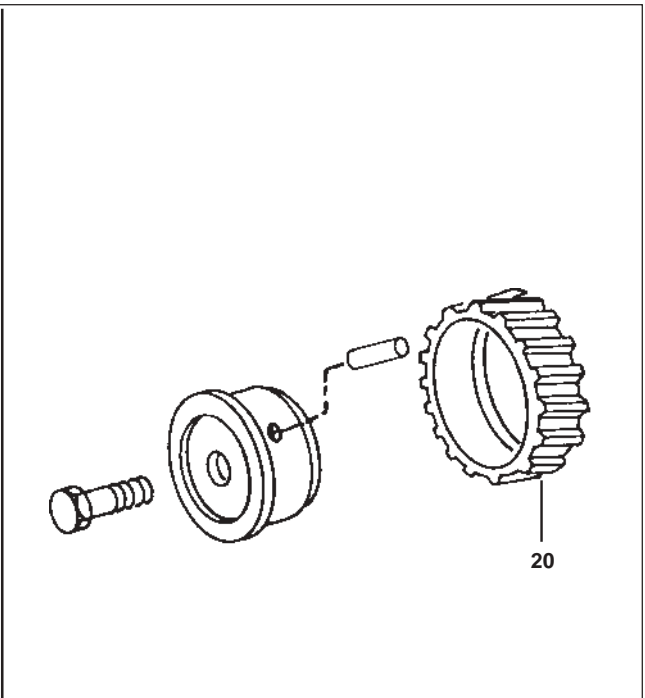
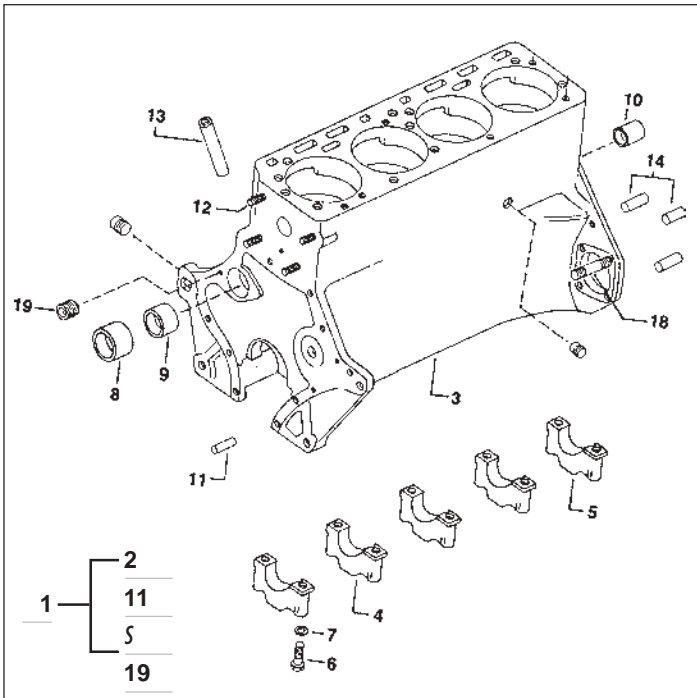
ELECTRICALS

Electricals -----	38-39
-------------------	-------

NUMERICAL INDEX

-----	40-42
-------	-------

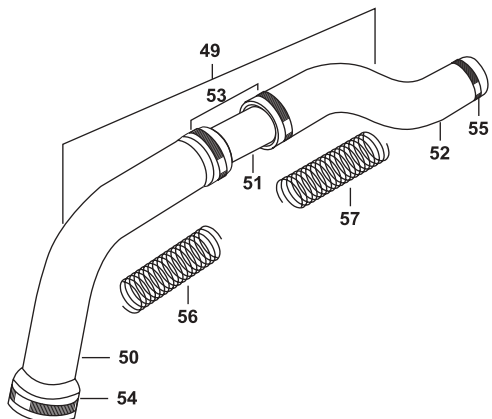
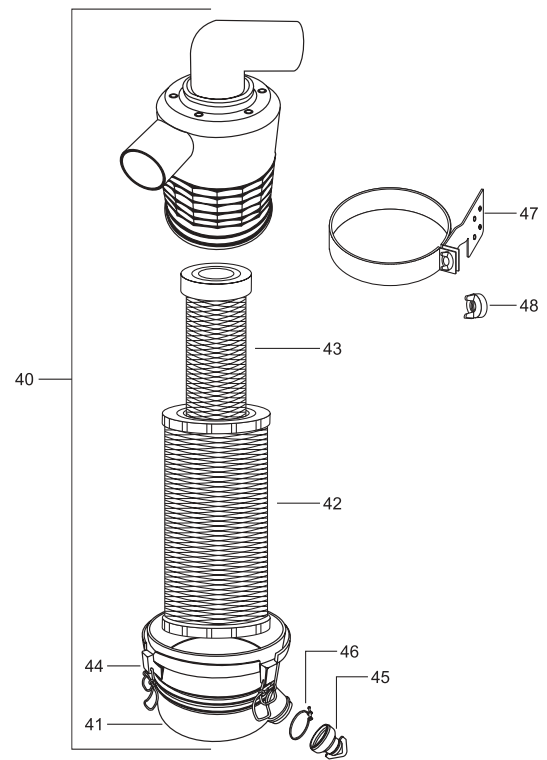
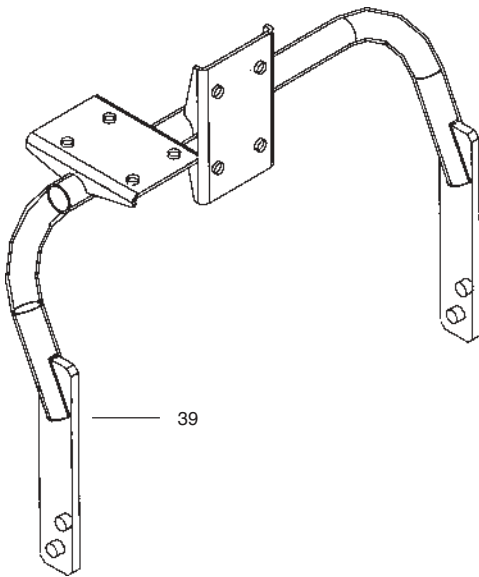
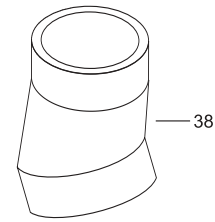
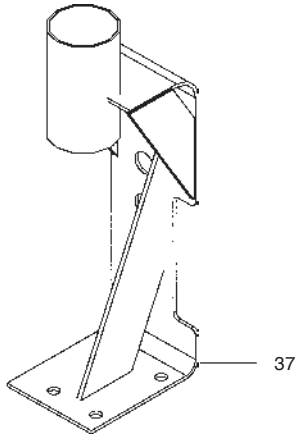
ENGINE SYSTEM



ENGINE SYSTEM

Ref.	Description Of Part	Common With	Qty.	Revision
	ENGINE Assy. Cpte Non CRPTO			
	ENGINE Assy. CRPTO			
	MAJOR Crankcase Assy			
*	Plate Identification 595 DI TC		1	
1	CRANKCASE Complete Comprising of		1	
3*	▶ CRANKCASE Casting deck			
4*	▶ CAP Bearing Crankshaft Front	C	4	
5*	▶ CAP Bearing Crankshaft Rear	C	1	
6	▶ BOLT Main Bearing Cap	C	10	
7	▶ WASHER Main Bearing Cap Bolt	C	0	
8	▶ BUSH Camshaft Front	C	1	
9	▶ BUSH Camshaft Centre	C	1	
10	▶ BUSH Camshaft Rear	C	1	
11	▶ PIN Dowel Crankcase Front 3/8 x 1"	C	2	
12	▶ STUD Water Pump Mounting	C	4	
13	▶ TUBE Dipstick	C	1	
14	▶ PIN Dowel Rear Oil Seal Retainer 5/16" x 1"	C	2	
15	▶ PIN Dowel Crankcase Rear	C	2	
16	▶ PLUG Headless Pipe Slotted 5/16" x 1"	C	3	
17	▶ PLUG Water Drain 1/4" Brass	C	1	
18	▶ STUD Starter Motor Mounting	C	1	
19	▶ PLUG Headless Pipe Slotted 1/4" NPT	C	2	
*	GASKET Intake Manifold		1	
20	GEAR Idler Assembly		1	
21	FLYWHEEL Cpte w/Ring gear- Rev CRPTO Comprising of		1	
22	▶ FLYWHEEL- Rev CRPTO			
23	▶ RING GEAR for Flywheel		1	
21	FLYWHEEL Cpte W/Ring Gear - Non CRPTO Comprising of		1	
22	▶ FLYWHEEL		1	
23	▶ RING Gear For Flywheel		1	
24	VALVE Exhaust		4	
25	COVER Injection Pump Gear (Cast Iron)		1	
26	FILTER ASSY SPIN ON		1	
27	ADAPTOR for Filter Spin on	C	1	
28	ADAPTOR Oil Cooler		1	
29	öÓ RING For Oil Cooler			
30	OIL Cooler (6 Plate)		1	
31	HOSE Oil Cooler Inlet and Outlet		2	
32	CLIP Pipe Res. To Pump-Worm TYP		4	
33	PIPE Oil Cooler Outlet		1	
34	PIPE Oil Cooler Inlet		1	
35	BRACKET Oil Cooler Pipe		1	
36	BOLT M8 x 1.25 x 20L		1	

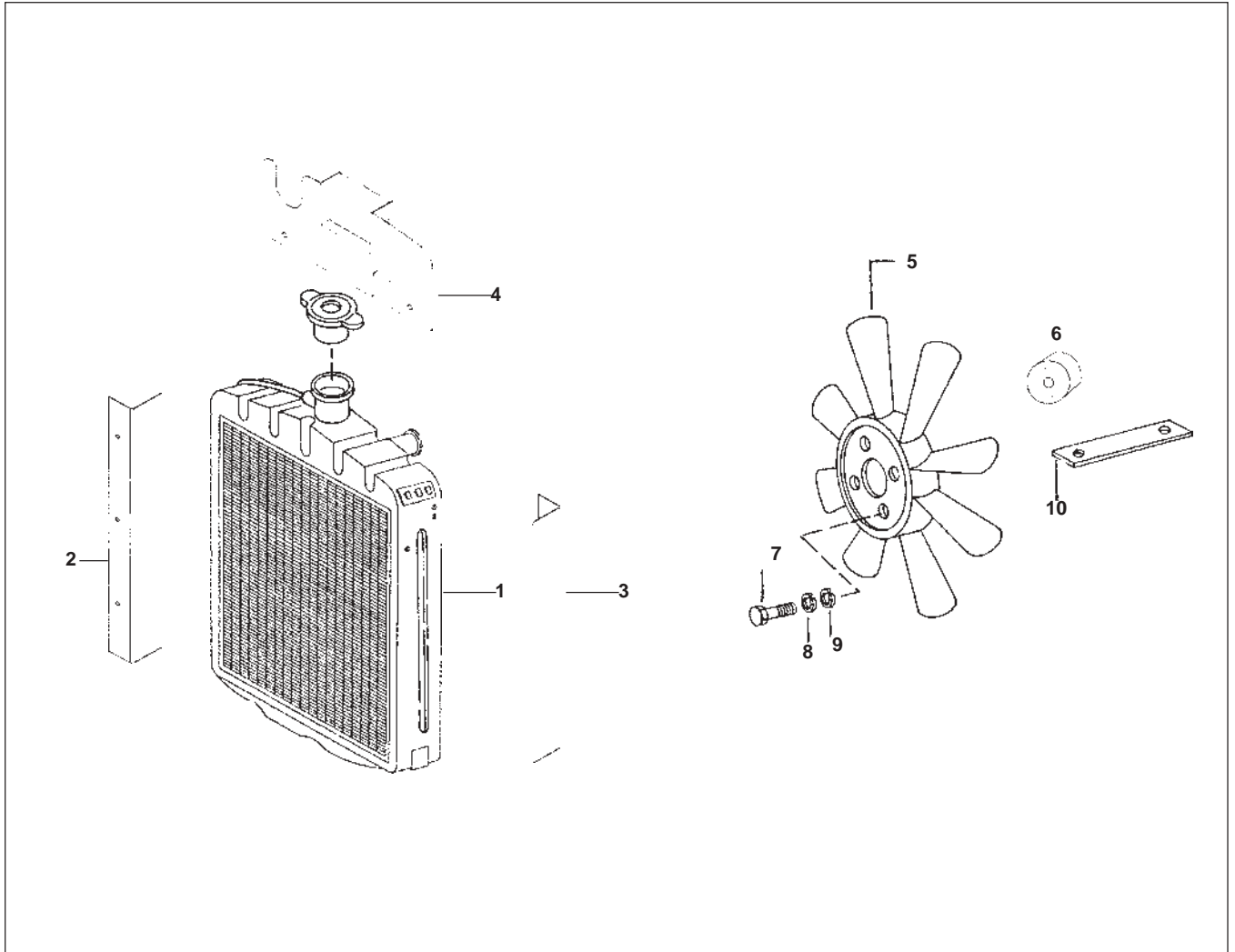
ENGINE SYSTEM



ENGINE SYSTEM

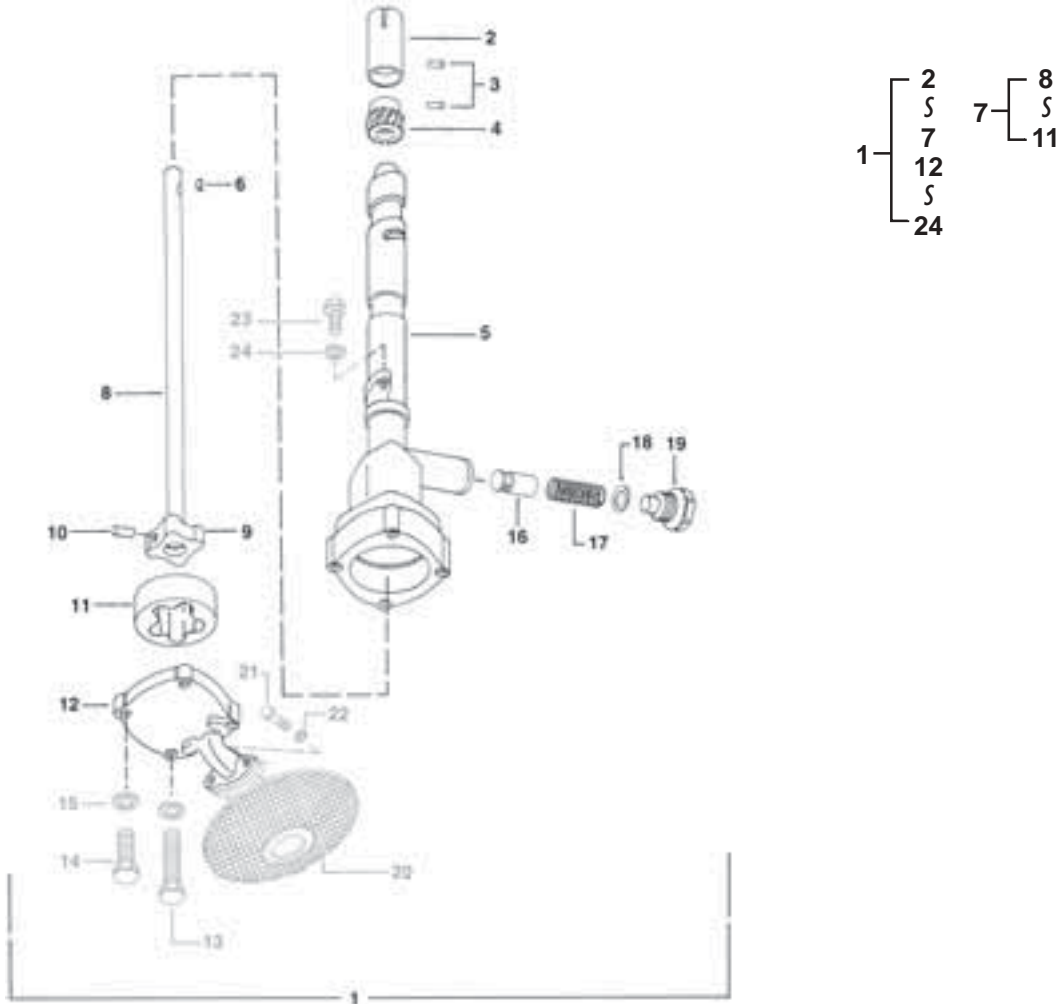
Ref.	Description Of Part	Common With	Qty.	Revision
37	BRACKET Precleaner		1	
38	HOSE Precleaner		1	
39	BRACKET for Dry Air Cleaner Mounting		1	
40	AIR CLEANER Dry Type Comprising of		1	
41	▶ COVER		1	
42	▶ PRIMARY Air Filter		1	
43	▶ SAFETY Air Element		1	
44	▶ LATCH Assy.(Cover to Body)		3	
45	▶ DUST Unloader		1	
46	▶ CLIP Dust Unloader		1	
*	▶ AIR CLEANER Body		1	
47	▶ AIR CLEANER Bracket		1	
48	▶ Wing Nut		1	
49	HOSE Assy. Air Intake Comprising of		1	
50	▶ HOSE Front		1	
51	▶ PIPE Metal		1	
52	▶ HOSE Rear		1	
53	▶ CLIPS		2	
54	CLIP Hose Air Cleaner Dia.76		1	
55	CLIP Hose Air Cleaner Dia.57		1	
56	SPRING Hose Front		1	
57	SPRING Hose Rear		1	
58	PRECLEANER Complete		1	
*	LOCK Plate Air Cleaner Bracket		2	

COOLING SYSTEM



Part Number	Ref.	Description Of Part	Common With	Qty.	Revision
1	1	RADIATOR Aluminium	1		
2		SEALING PLATE RH		1	
3		SEALING PLATE LH		1	
4		SEALING PLATE TOP CPTE		1	
5		FAN Wheel Assy		1	
6		ADAPTOR, Aluminium Radiator Fan		1	
7		BOLT 5/16" X 2" Long		4	
8		WASHER Plain		4	
9		WASHER Spring		4	
10		BRACE Radiator		1	

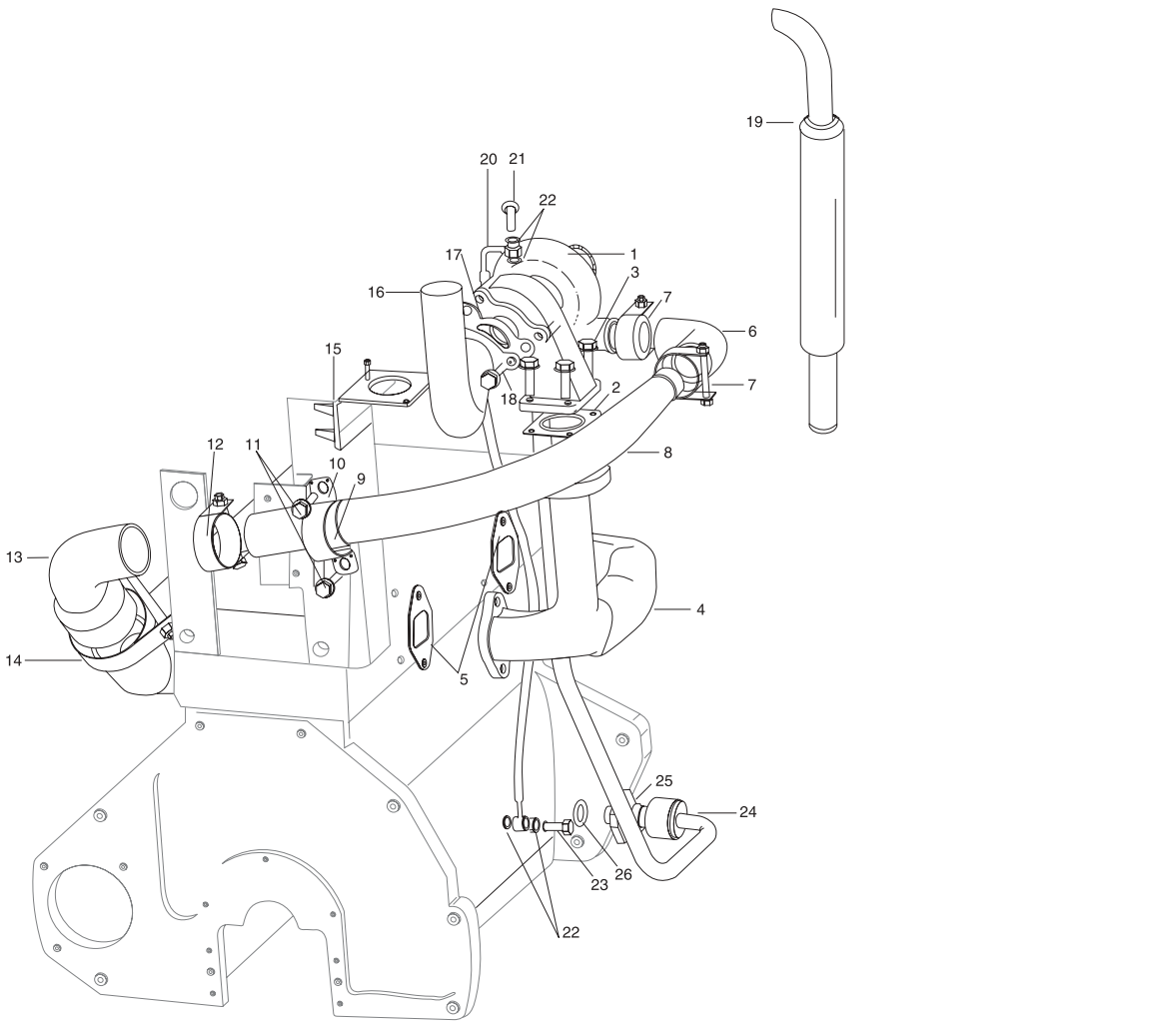
LUBRICATION SYSTEM



Part Number	Ref.	Description Of Part	Common With	Qty.	Revision
1		PUMP Lub Oil complete Comprising of		1	
2		▶ COUPLING Hour Meter drive		1	
3		▶ PIN Roll		2	
4		▶ PINION Oil Pump Drive		1	
5		▶ BODY Oil Pump		1	
6		▶ KEY Woodruff 1/8 X 5/8		1	
7		ROTOR & Shaft Assy. Comprising of		1	
8		▶ SHAFT Oil Pump		1	
9		▶ ROTOR Inner Pump		1	
10		▶ PIN Groove		1	
11		▶ ROTOR Outer		1	
12		▶ COVER Oil Pump		1	
13		▶ BOLT Cover To Body 1/4UNCX1 1/4	C	2	
14		▶ BOLT Cover To Body 1/4UNCX1	C	2	
15		▶ WASHER Spring Cover To Body	C	4	
16		▶ PLUNGER Relief Valve		1	
17		▶ SPRING Relief Valve		1	

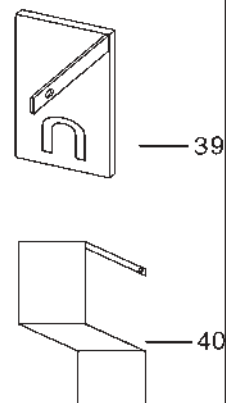
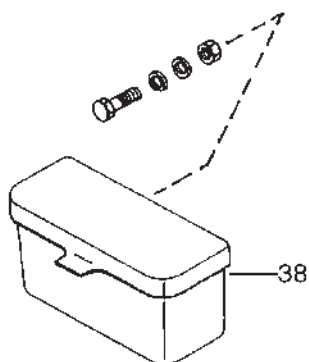
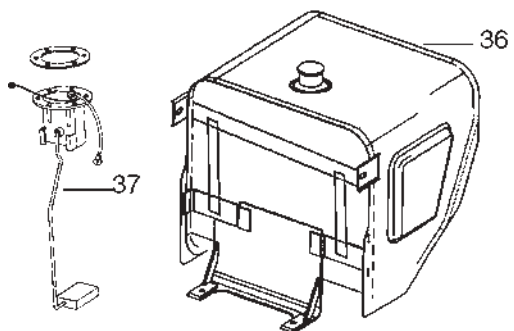
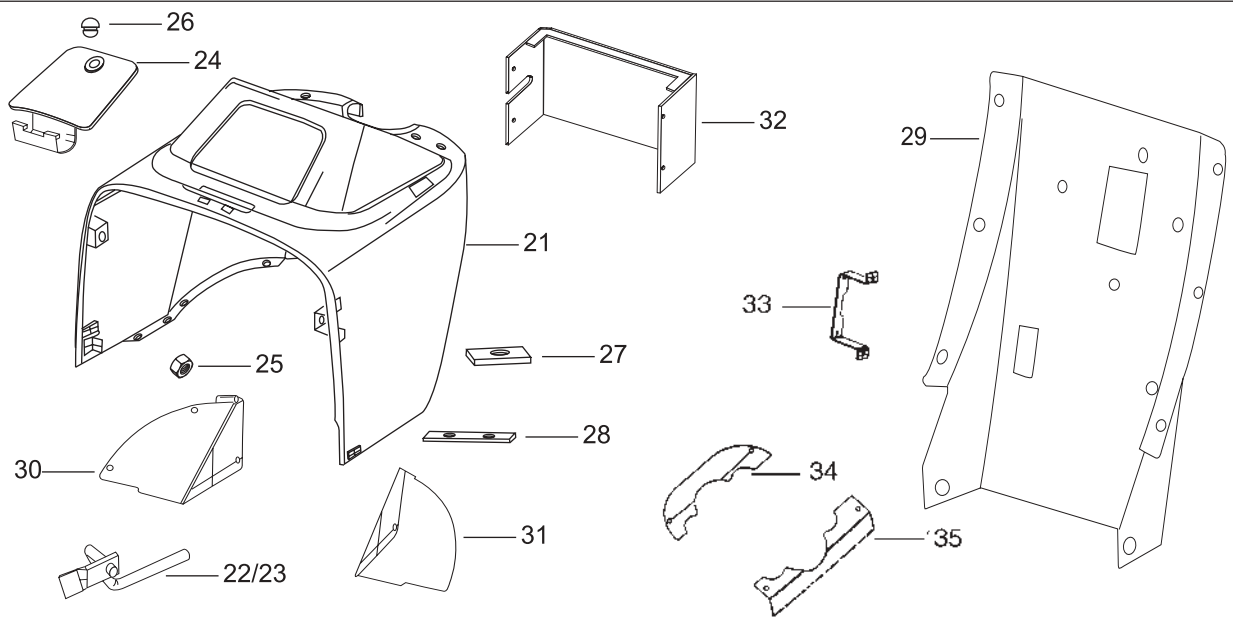
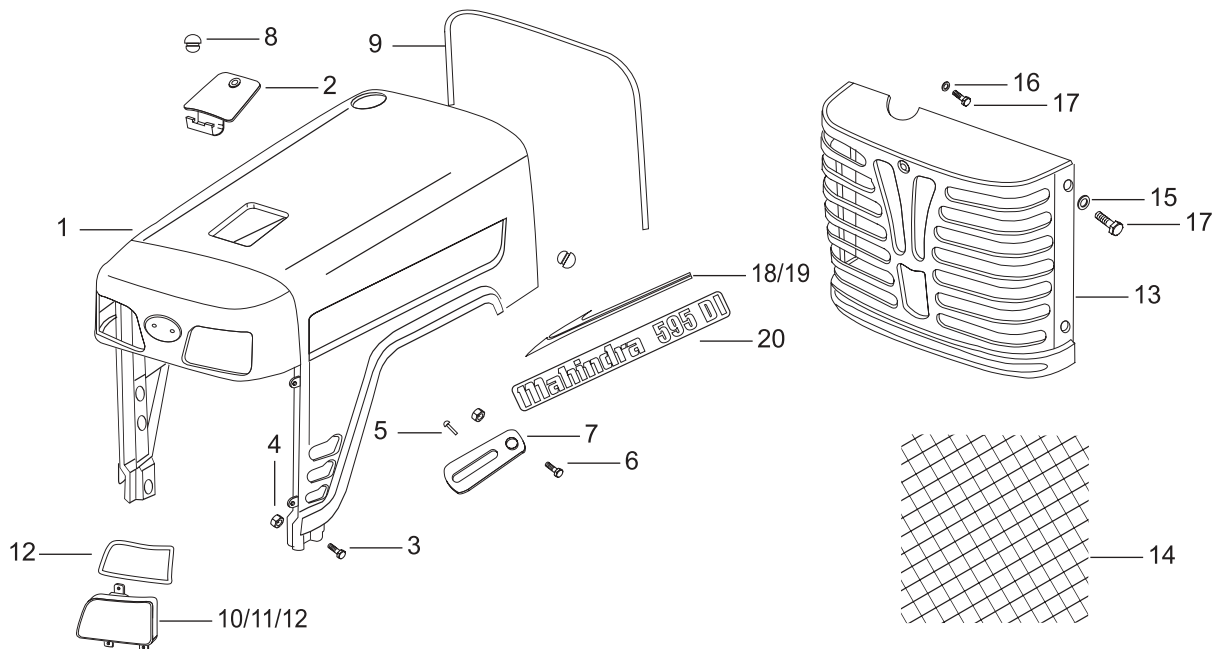
Ref.	Description Of Part	Common With	Qty.	Revision
18	▶ WASHER Copper Asbestos		1	
19	▶ RETAINER Spring		1	
20	▶ SCREEN Oil Pump	C	1	
21	▶ BOLT Screen To Cover	C	2	
22	▶ WASHER Spring 1/4" Lock	C	2	
23	▶ BOLT Oil Pump Mtg.	C	1	
24	▶ WASHER Spring Lock	C	1	

TURBO SYSTEM



Ref.	Description Of Part	Common With	Qty.	Revision
1	TURBOCHARGER Assembly (Tata Holset)		1	
2	GASKET Metal - Exhaust Manifold & Tc		1	
3	BOLT Flanged M8 X 1.25 X 30		4	
4	MANIFOLD Exhaust		1	
5	GASKET Exhaust Manifold & Cylinder Head		2	
6	HOSE Turbo Charger To Air Intake Pipe		1	
7	CLIP Hose Turbo Charger To Pipe Dia 46		2	
8	PIPE Air Intake Manifold Turbo Charger		1	
9	RUBBER Pad		1	
10	CLAMP Turbo Charger Pipe		1	
*	BOLT		1	
*	SPECIAL Lock Lever		1	
*	NUT		1	
11	BOLT M8 X 1.25 X 20I		2	
12	CLIP Hose, Dia 57		1	
13	HOSE Pipe To Intake Manifold		1	
14	CLIP Hose Air Intake Dia 74		1	

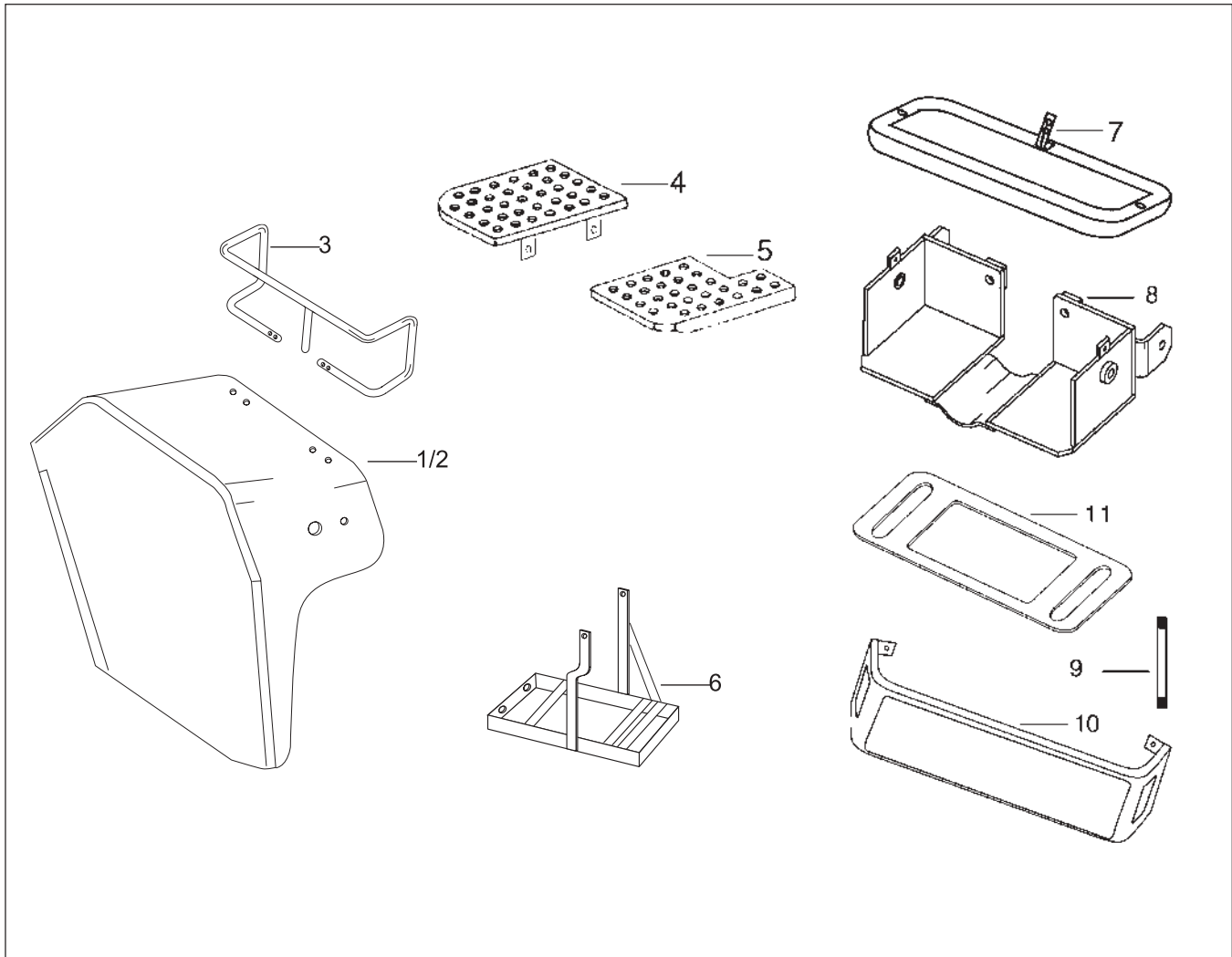
SHEET METAL & FUEL TANK



SHEET METAL & FUEL TANK

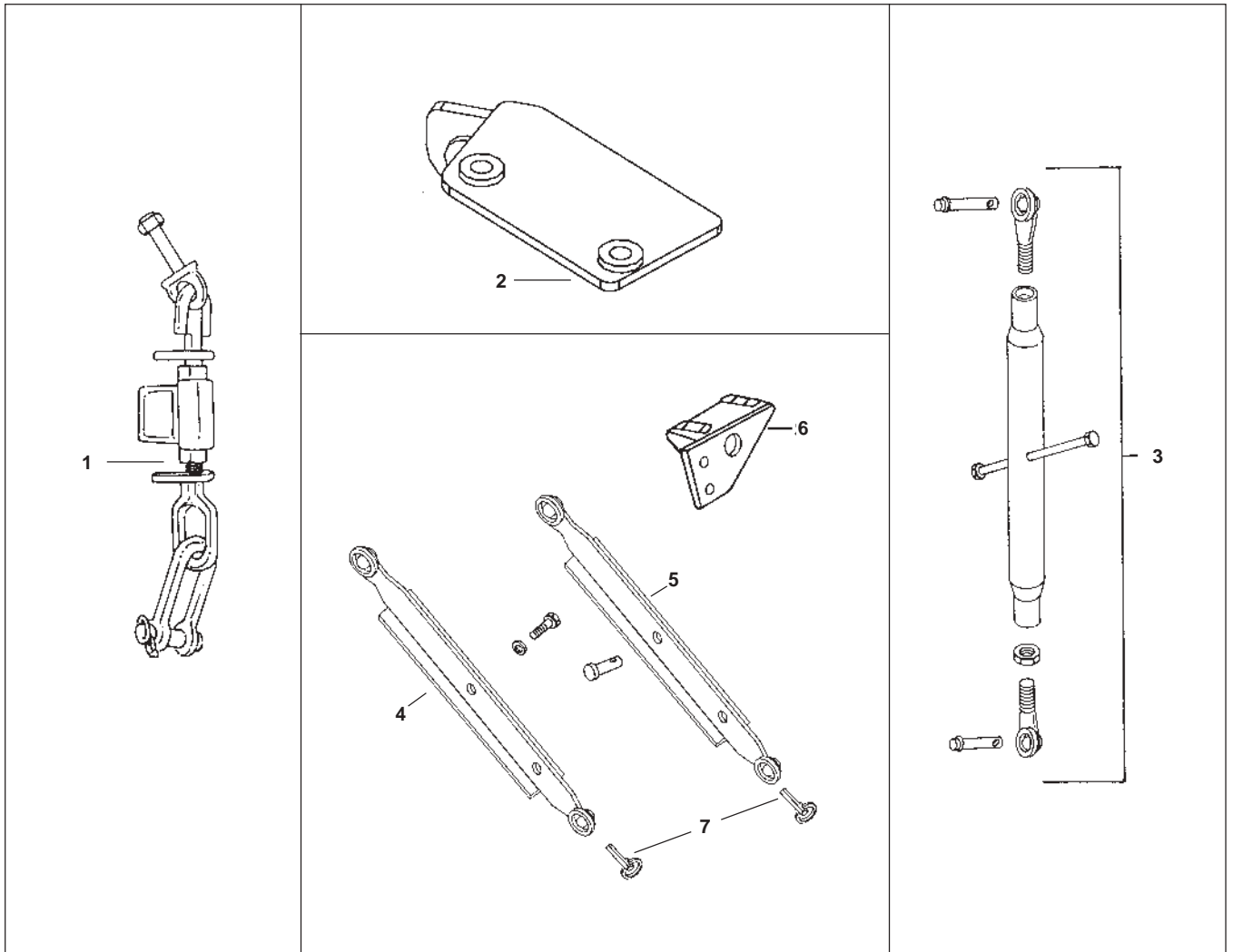
Ref.	Description Of Part	Common With	Qty.	Revision
1	HOOD Cpte		1	
2	HOOD Flapper	N	1	
3	BOLTHood Pivot	N	2	
4	NUT Nyloc M16 x 1.5	N	2	
5	BOLT Hood Stopper	N	2	
6	BOLT Hood Stopper Pivot	N	2	
7	PLATE Hood Stopper	N	2	
8	STOPPER Rubber for Flapper (Hood)	N	4	
9	BEADING Rubber Hood	N	1	
10	HEAD LAMP LH	N	1	
11	HEAD LAMP RH	N	1	
12	SEALING Rubber Head Lamp	N	2	
13	GRILL Radiator Cpte.		1	
14	GRILL Front Screen Mesh	N	1	
15	WASHER Fibre M8	N	5	
16	WASHER Plain M8	N	5	
17	SCREW Front Grille Fixing 38 mm Long		5	
18	STICKER New Styling LH	N	1	
19	STICKER New Styling RH	N	1	
20	PRODUCT GRAPHICS 595		2	
21	SCUTTLE Cpte.	N	1	
22	HOOD LATCH Cpte. LH	N	1	
23	HOOD LATCH Cpte. RH	N	1	
24	FLAPPER Scuttle	N	1	
25	NUT FLOAT (Between Scuttle & Fuel Tank)	N	2	
26	STOPPER Rubber For Flapper (Scuttle)	N	2	
27	PAD Rubber Scuttle Side	N	2	
28	PAD Rubber Scuttle Bottom	N	2	
29	PANEL Scuttle Assembly	N	1	
30	HEAT SHIELD Scuttle Panel RH	N	1	
31	HEAT SHIELD Scuttle Panel LH	N	1	
32	COVER Scuttle Support	N	1	
33	BRACKET Fuse Mounting	N	1	
34	COVER Steering Column Front	N	1	
35	COVER Steering Column Rear	N	1	
36	FUEL TANK Cpte.	N	1	
37	GAUGE FUEL LEVEL Tank unit	N	1	
38	TOOL BOX	N	1	
*	STICKER Warning for Turbo		1	
*	STICKER Warning for Turbo		1	
39	BAFFLE L.H	N	1	
40	HEAT SHIELD Cpte	N	1	

FENDERS & BRACKETORIES



Part Number	Ref.	Description Of Part	Common With	Qty.	Revision
1		FENDER ASSEMBLY Cpte. LH		1	
2		FENDER ASEMBLY Cpte. RH		1	
3		FENDER SEAT LH	N	1	
3		FENDER SEAT RH	N	1	
4		FOOT PLATE LH		1	
5		FOOT PLATE RH		1	
6		FOOT STEP Complete		1	
7		PLATE Battery Cover	N	1	
8		BRACKET For Battery Mounting		1	
9		STUD For Bracket Holding	N	2	
10		PLATE Battery Clamping		1	
11		PAD Rubber For Battery	N	1	

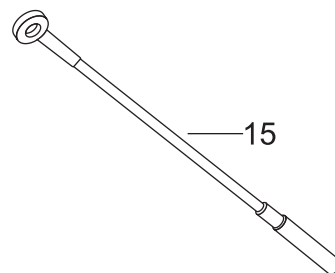
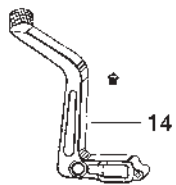
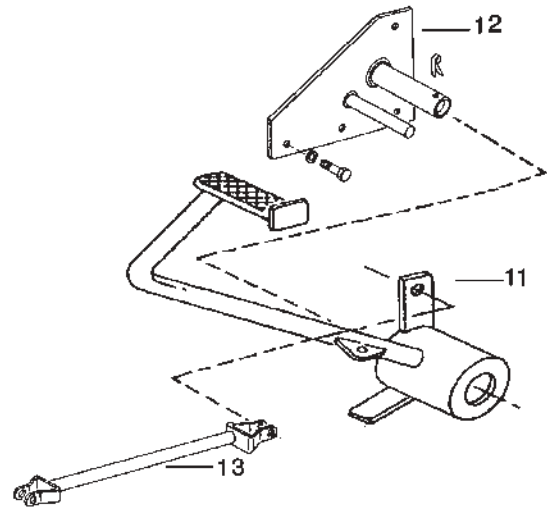
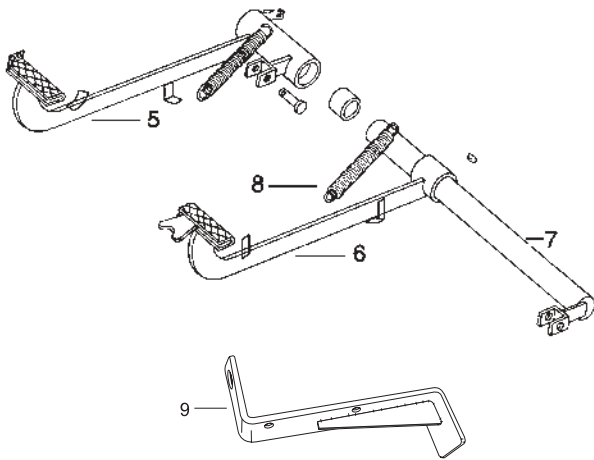
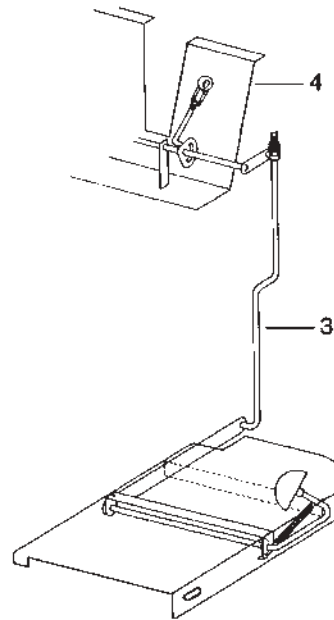
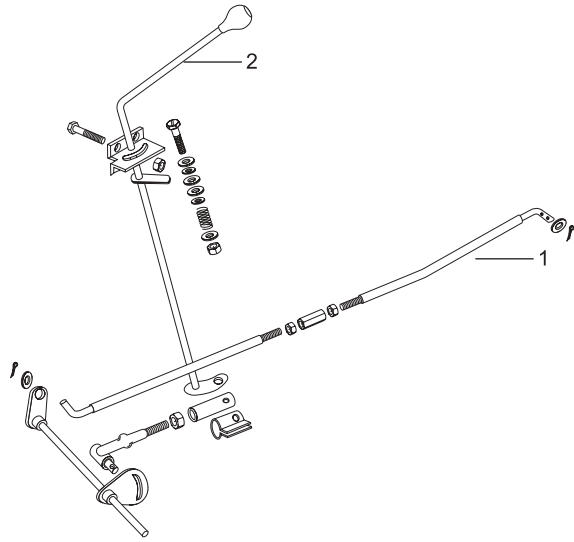
LINKAGE THREE POINT



Part Number	Ref.	Description Of Part	Common With	Qty.	Revision
1		CHECK CHAIN Assembly		2	
2		BRACKET Check Chain LH		1	
2		BRACKET Check Chain RH		1	
3		TOP LINK		1	
4		LOWER LINK LH Cpte		1	
5		LOWER LINK RH Cpte		1	
6		PLATE Cpte. D.bar Support L.H.		1	
6		PLATE Cpte. D.bar Support R.H.		1	
7		Lynch Pin Assembly	A	2	

⌘ - Part same as used in Arjun

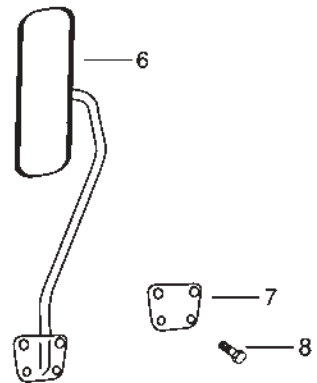
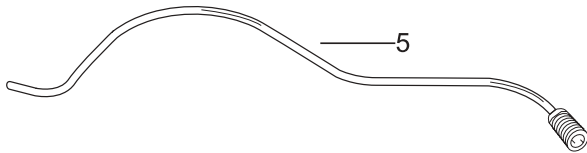
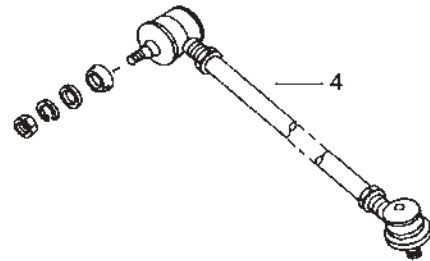
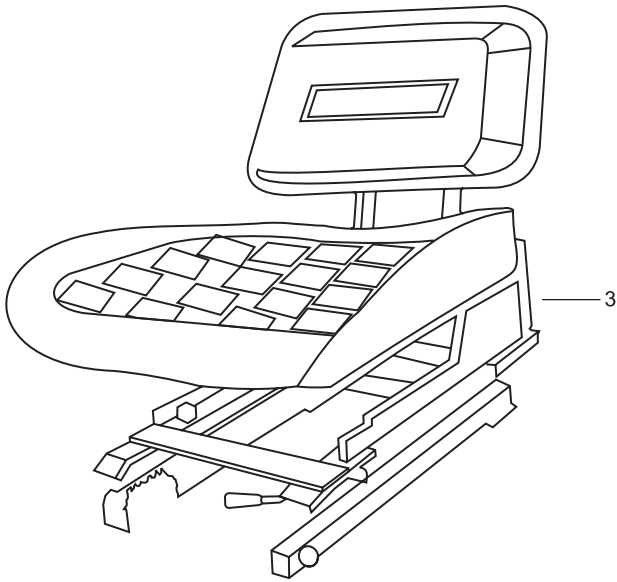
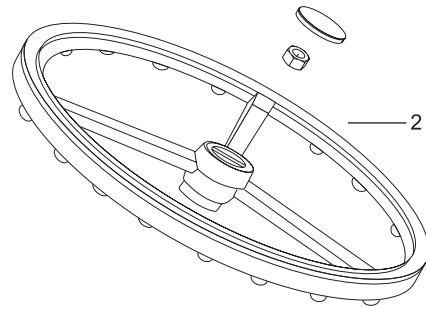
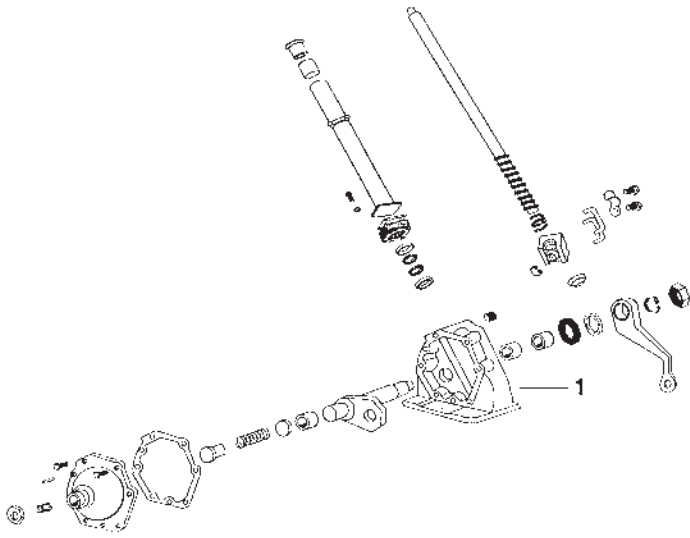
GOVERNOR CONTROL, PEDALS & LEVERS



GOVERNOR CONTROL, PEDALS & LEVERS

Ref.	Description Of Part	Common With	Qty.	Revision
1	ROD Governor Control	N	1	
2	CONTROL Governor Cpte.	N	1	
3	CONTROL ROD Cpte. Foot Pedal To Cross Shaft	N	1	
4	BRACKET Support For Cross Shaft Assembly	N	1	
5	BRAKE Pedal RH Cpte		1	
6	BRAKE Pedal LH Cpte		1	
7	BRAKE Shaft Cpte		1	
8	SPRING Return Brake Pedal LH & RH		2	
9	BKT. For Brake Pedal Spring Mtg		1	
10	STUD		1	
*	WASHER Plane on Brake Cover For Bkt Mtg		1	
11	CLUTCH Pedal Cpte.		1	
12	BRACKET Clutch Pedal Mounting		1	
13	LINK Connecting Cpte. (Non CRPTO)	N	1	
13	LINK Connecting Cpte. (Rev. CRPTO)		1	
14	LOCK Differential Pedal	N	1	
15	CABLE Hand Brake	N	1	

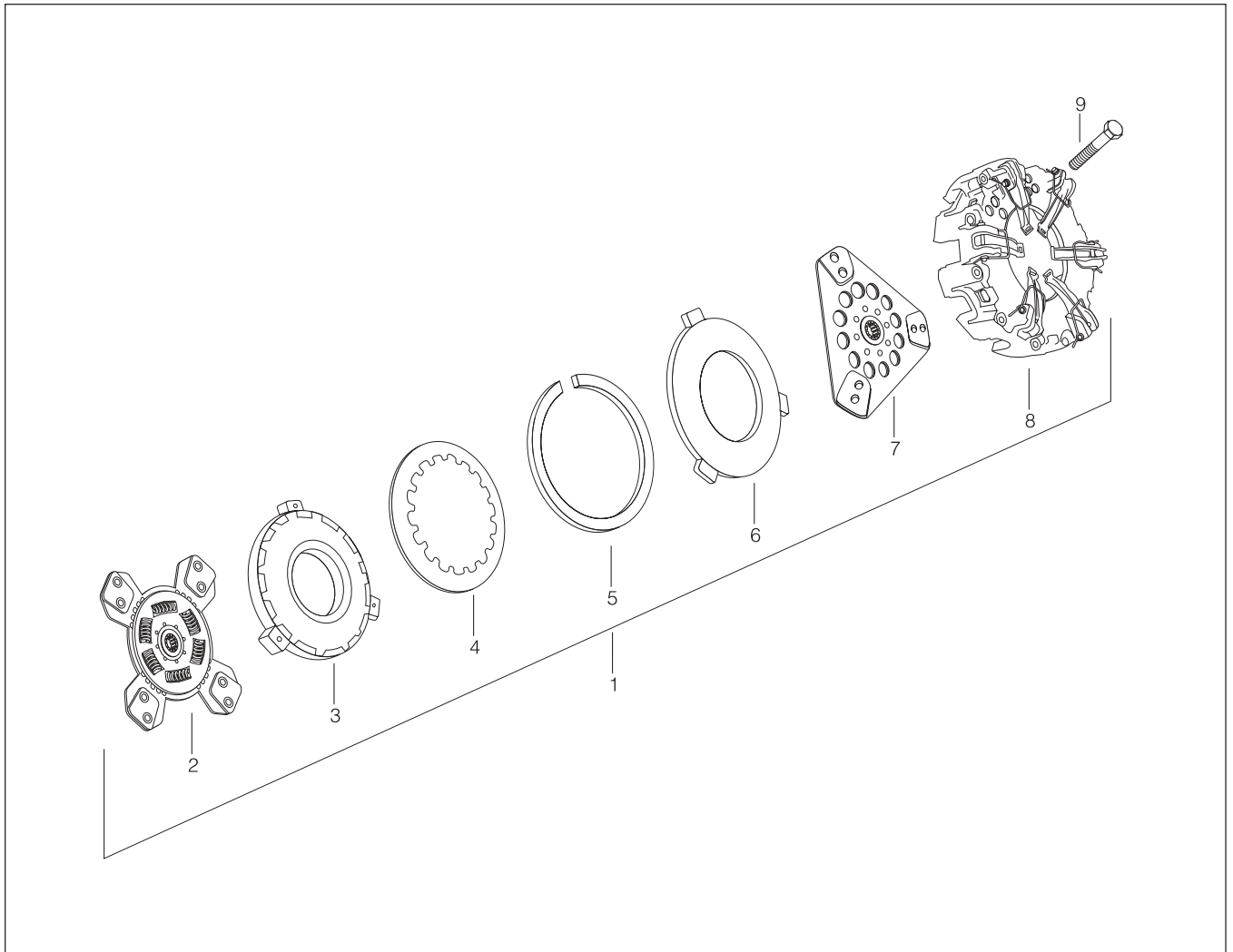
STEERING MECHANISM & SEAT



STEERING MECHANISM & SEAT

Ref.	Description Of Part	Common With	Qty.	Revision
1	STEERING GEAR Cpte. With Droparm	N	1	
2	WHEEL Steering	N	1	
3	SEAT Operator (ALF)		1	
4	DRAG LINK Cpte.		1	
5	PRESSURE PIPE Lube Oil	N	1	
6	MIRROR Cpte. With Bracket	N	1	
7	PAD RUBBER For Mirror Mounting	N	1	
8	SCREW For Mirror Mounting	N	4	

CLUTCH ASSEMBLY (DUAL)



Part Number	Ref.	Description Of Part	Common With	Qty.	Revision
2	1	CLUTCH Cover Assy. Rane (11" X 11")		1	
2	2	11" DRIVEN Assy. Main (with ceramic pads)		1	
0	1	3		1	
		4			
		5			
		6		1	
		7		1	
#		8			
		9		12	
	*	KIT - Clutch Repair PTO Consists of (Lever Assy. - 3, Pivot Pin Big - 3, Form Spring - 3, Straight Pin - 3, Sp. Screw Assy. - 3)		A/R	
	*	KIT - Clutch Repair MAIN Consists of (Lever Assy. - 3, Pivot Pin Big - 3, Form Spring - 3, Straight Pin - 3, Sp. Screw Assy. - 3)		A/R	
	*	KIT - Cerametallic Pad Main Clutch Plate		A/R	
	*	KIT - Cerametallic Pad PTO Clutch Plate		A/R	